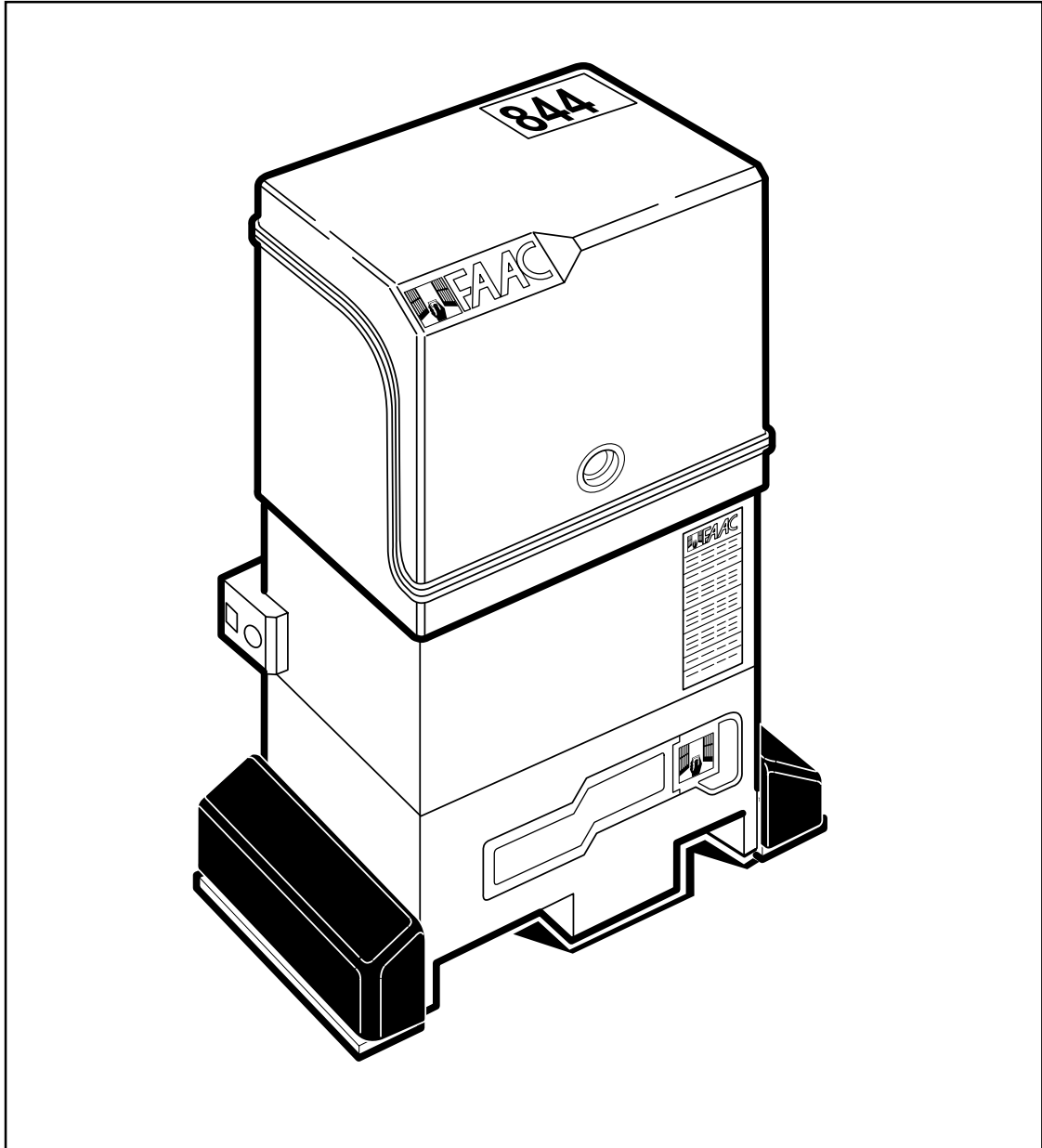


# 844 MC-R & 844 MPSR



# FAAC



FAAC para la naturaleza  
100% papel reciclado



FAAC ist umweltfreundlich  
100% Altpapier



FAAC pour la nature  
papier recycle 100%



FAAC for nature  
recycled paper 100%



FAAC per la natura  
carta riciclata 100%



**EC MACHINE DIRECTIVE COMPLIANCE DECLARATION**

(DIRECTIVE 89/392 EEC, APPENDIX II, PART B)

**Manufacturer:** FAAC S.p.A.

**Address:** Via Benini, 1  
40069 - Zola Predosa  
BOLOGNA - ITALY

**Hereby declares that:** the 844 MC-R automation system

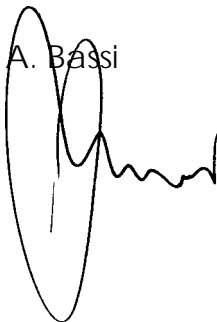
- is intended to be incorporated into machinery, or to be assembled with other machinery to constitute machinery in compliance with the requirements of Directive 89/392 EEC, and subsequent amendments 91/368 EEC, 93/44 EEC and 93/68 EEC;
- complies with the essential safety requirements in the following EEC Directives:  
  
73/23 EEC and subsequent amendment 93/68 EEC.  
89/336 EEC and subsequent amendments 92/31 EEC and 93/68 EEC.

and furthermore declares that unit must not be put into service until the machinery into which it is incorporated or of which it is a component has been identified and declared to be in conformity with the provisions of Directive 89/392 EEC and subsequent amendments enacted by the national implementing legislation.

Bologna, 1 January 1997

Managing  
Director

A. Bassi



## IMPORTANT NOTICE FOR THE INSTALLER

### GENERAL SAFETY INSTRUCTIONS

- 1) **WARNING!** For reasons of safety, all the instructions in this manual must be observed scrupulously. Improper installation or misuse of the product may result in serious injury.
- 2) Read the instructions carefully before installing the product.
- 3) Packaging material (plastic, polystyrene etc.) is a potential hazard and must be kept out of reach of children.
- 4) Keep these instructions for future reference.
- 5) This product has been designed and manufactured only for the use stated in this manual. Any use other than that expressly indicated may result in damage to the product and/or risk of injury.
- 6) FAAC S.p.A. shall not be liable for any damage or injury caused by improper use of the automation or by any use other than that for which it is intended.
- 7) Do not install this device in explosive atmospheres: the presence of flammable gas or fumes is a serious hazard.
- 8) Mechanical structural elements must comply with UNI8612, CEN pr EN 12604 and CEN pr EN 12605 standards. For countries outside the EC, mechanical structural must comply with the above standards in addition to any national safety standards, in order to obtain a reasonable degree of safety.
- 9) FAAC cannot be held responsible for failure to observe technical standards in the construction of the gates on which the automation is installed, or for any deformation of the gates which may occur during use.
- 10) Installation must comply with UNI8612, CEN pr EN 12453 and CEN pr EN 12635. The degree of safety of the automation must be C+D.
- 11) Before carrying out any operations on the system, disconnect the electrical power supply.
- 12) Install a multi-pole switch on the supply line to the automation with a contact opening distance of 3 mm or more. We recommend the use of a 6A thermal magnetic circuit breaker with multi-pole switching.
- 13) Ensure that a residual current device with a trip threshold of 0.03A is installed upstream of the automation system.
- 14) Check that the earthing system is installed correctly and is efficient. Connect the metal parts of the gate and the yellow/green wire of the operator to the earthing system.
- 15) The automation is fitted with an anti-crushing safety system consisting of a torque control device which, in all cases, must be used in conjunction with other safety devices.
- 16) The safety devices (e.g. photocells, safety edges, etc.) protect areas where there is a mechanical movement hazard, e.g. crushing, entrapment and cutting.
- 17) Each installation must be fitted with at least one flashing light (e.g. FAAC LAMP, MINILAMP etc.) and a warning sign suitably fixed to the gate, in addition to the safety devices as per point 16 above.
- 18) FAAC cannot be held responsible for the safe and correct operation of the automation in the event that parts other than FAAC original parts are used.
- 19) Use only FAAC original spare parts for maintenance operations.
- 20) Do not carry out any modifications to automation components.
- 21) The installer must supply all information regarding manual operation of the system in the event of an emergency and provide the end-user with the "End-user Guide" supplied with the product.
- 22) Do not allow any persons, especially children, to stand in the vicinity of the automation when in operation.
- 23) Keep the remote radio controls and any other control devices out of the reach of children to prevent accidental operation of the automation.
- 24) The end-user must not attempt to repair or adjust the automation. These operations must be carried out exclusively by qualified personnel.
- 25) **Any operations not explicitly described in these instructions are not permitted.**

# AUTOMATION 844 MC-R & 844 MPSR

These instructions apply to the following models:

## 844 MC-R

The FAAC model 844MC-R automation for sliding gates is an electromechanical operator which transmits movement to the gate leaf by means of a rack and pinion coupled in an appropriate manner to the sliding gate.

The reversible system allows the gate to be moved manually when the motor is not in operation. An electric lock must therefore be installed to ensure that the gate cannot move when closed.

The gear motor is equipped with an adjustable mechanical clutch which affords the necessary anti-crushing safety. A convenient manual release device allows the gate to be operated in the event of mechanical problems with the gear motor. The electronic control unit may be housed inside the operator or in a separate box.

The automation 844MC-R has been designed and built for vehicle access control. Do not use for any other purpose.

### 1. DESCRIPTION AND TECHNICAL CHARACTERISTICS

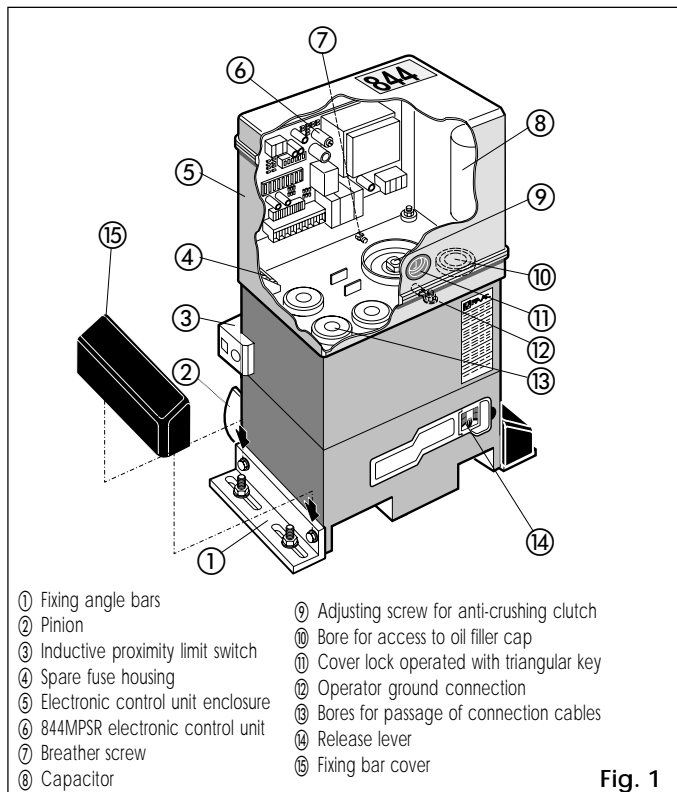


Fig. 1

#### 1.1. MAXIMUM UTILISATION CURVE

The curve allows the maximum working time (T) to be obtained as a function of duty cycle (F).

E.g.: the 844 MC-R operators can work continuously at a duty cycle of 30%.

To ensure good operation, keep to the field of operation lying below the curve.

**Important:** The curve refers to a temperature of 24°C. Exposure to direct sunlight can result in a reduction in duty cycle to as low as 20%.

#### Calculating duty cycle

The duty cycle is the percentage of effective working time (opening + closing) with respect to the total cycle time (opening + closing + pause times).

It is calculated using the following formula:

$$\%F = \frac{Ta + Tc}{Ta + Tc + Tp + Ti} \times 100$$

where:

Ta = opening time

Tc = closing time

Tp = pause time

Ti = interval between one complete cycle and the next.

Graph of duty cycle

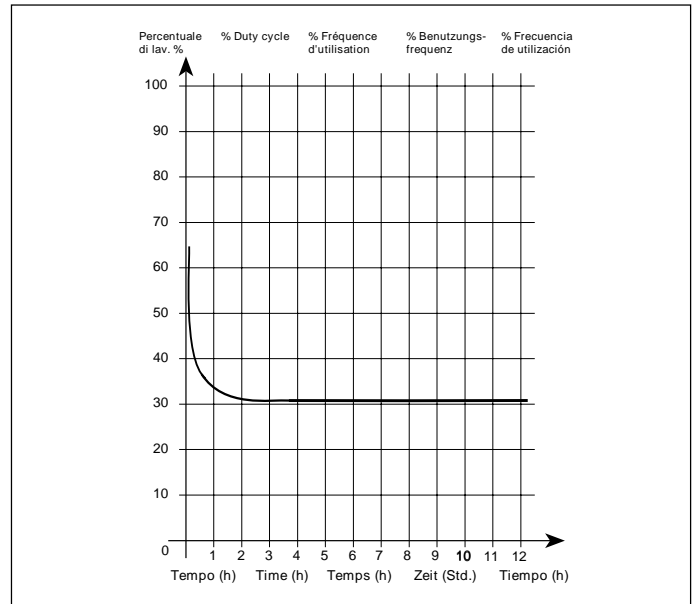


TABLE 1 TECHNICAL SPECIFICATIONS OF 844MC-R OPERATOR

MODEL	844
Power supply	230V~ (+ 6 % - 10 %) 50Hz
Power consumption (W)	550
Reduction ratio	3 ÷ 29
No. of pinion teeth	Z12
Rack	4 module pitch 12,566
Max. thrust daN	83 (Z12)
Max. torque (Nm)	20
Winding thermal protection	140 °C
Duty rating	30 % (see graph)
Oil quantity (l)	1,8
Type of oil	FAAC XD 220
Temperature range	-20 to +55 °C
Gear motor weight (kg)	15
Housing protection	IP 55
Max. gate weight (kg)	1000 (Z12)
Gate speed (m/min)	11.6 (Z12)
Max. gate length	49m (Z12)
Clutch	bidisk in oil bath
Housing treatment	cataphoresis
Limit switches	inductive with stop plates
Gear motor dimensions LxHxD (mm)	see Fig. 2
Electric motor technical specifications	
Motor speed (rpm)	750
Power consumption (W)	550
Current draw (A)	2.5
Surge condenser	25µF
Power supply	230 Vac (+ 6 % - 10 %) 50Hz

2. DIMENSIONS

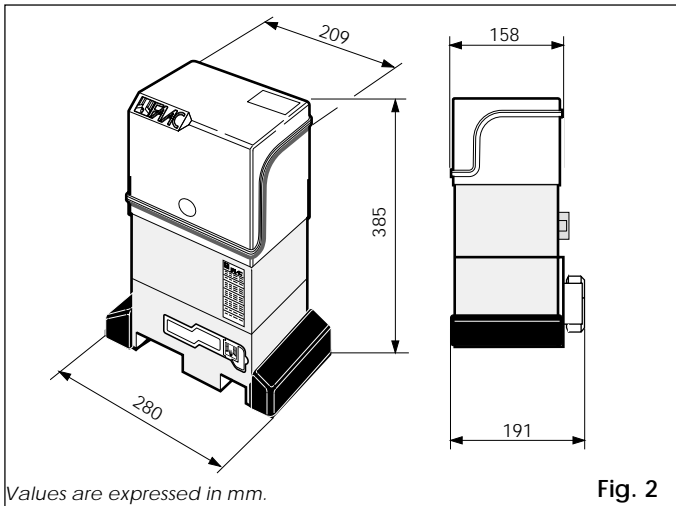


Fig. 2

Values are expressed in mm.

3. ELECTRICAL SET-UP (standard system)

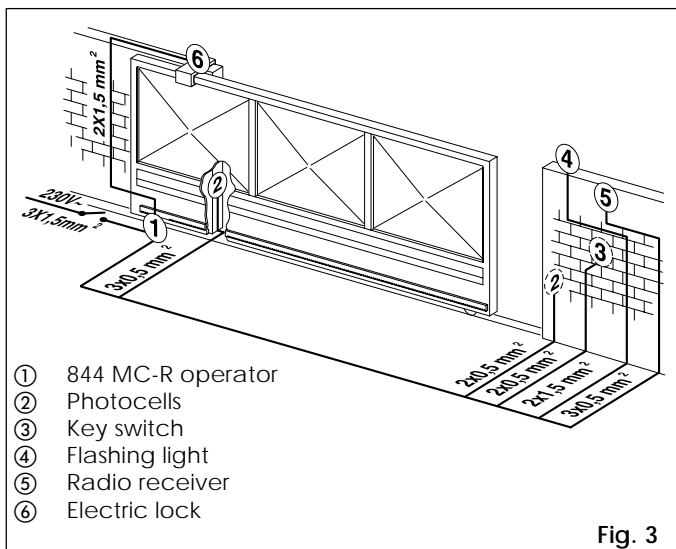


Fig. 3

4. INSTALLING THE AUTOMATION

4.1. PRELIMINARY CHECKS

For safe, correct operation of the automation, make sure that the following requirements are met:

- The gate's structure must be suitable for automation. Take special care to ensure that the wheels are large enough to support the full weight of the gate, that a top runner is installed and that physical stops are fitted to prevent the gate from coming off the runner.
- Make sure that the bottom runner is perfectly horizontal. If it slopes, the fact that the gear motor is reversible may allow the gate to move on its own.
- The characteristics of the ground must ensure sufficient support for the foundation plinth.
- There must be no pipes or electrical cables in the area to be dug for installing the foundation plinth.
- If the gear motor is located in a vehicle transit area, it is advisable to provide protection against accidental collisions.
- Check that the gear motor has an efficient earth connection.

4.2. INSTALLING THE BASE PLATE

- 1) Assemble the base plate as shown in Fig. 4.
- 2) The base plate must be positioned as shown in Fig. 5 (right-handed closure (right-handed closure) or Fig. 6 (left-handed

- closure) to ensure that the pinion and rack mesh correctly.
- 3) Prepare a foundation plinth as shown in Fig. 7 and install the base plate providing one or more conduits for electrical cables. Use a level to check that the plate is perfectly horizontal and wait for the cement to set.
- 4) Lay the electrical cables for connection to the accessories and the electricity supply as shown in Fig. 3. For ease of connection, ensure that the cables protrude by about 45 cm from the hole in the base plate (Figs. 5-6 ref. 1).

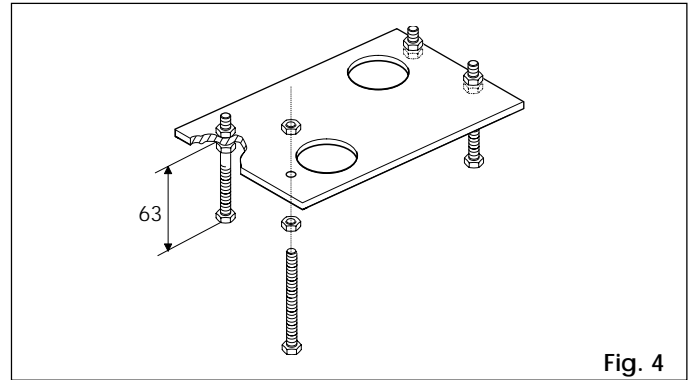


Fig. 4

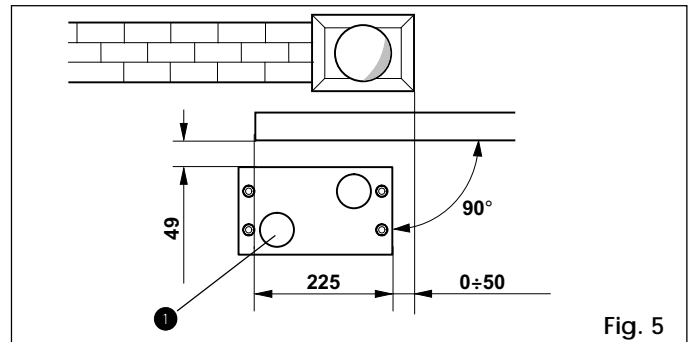


Fig. 5

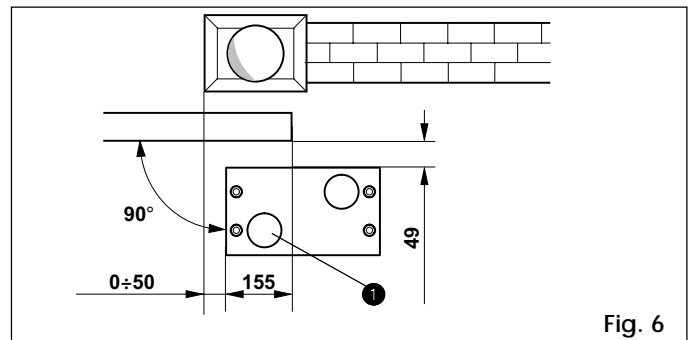


Fig. 6

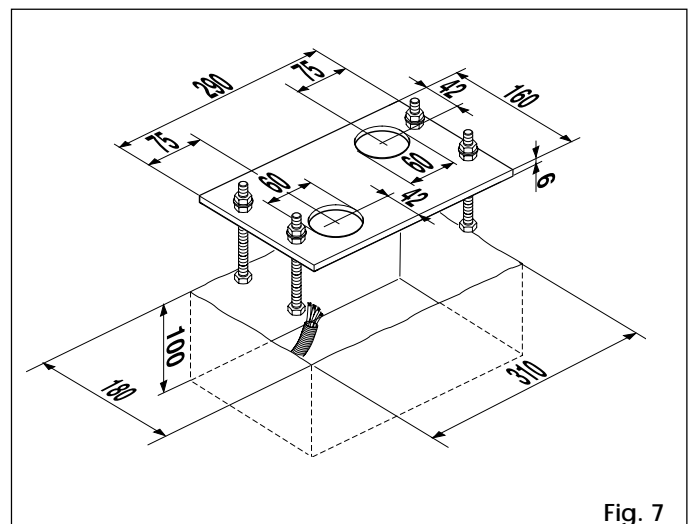


Fig. 7

**4.3. MECHANICAL INSTALLATION**

- 1) Fix the angle bars and the vibration dampers to the operator as shown in Fig. 8.
- 2) Open the cover of the operator using the triangular key supplied (Fig. 9).  
The cover will remain in the open position thanks to a locking system.
- 3) Fix the operator to the base plate using the nuts and washers supplied (Fig. 10).  
During this operation, route the cables through the conduit in the lower half of the operator.  
To access the electronic equipment, route the cables through the holes provided (13, Fig. 1) using the grommets supplied.
- 4) Adjust the height of the feet and the distance from the gate as shown in Fig. 11.
- 5) Secure the gear motor onto the base plate by tightening the nuts as shown in Fig. 12.
- 6) Remove the breather screw as shown in Fig. 13 and keep it in a safe place.

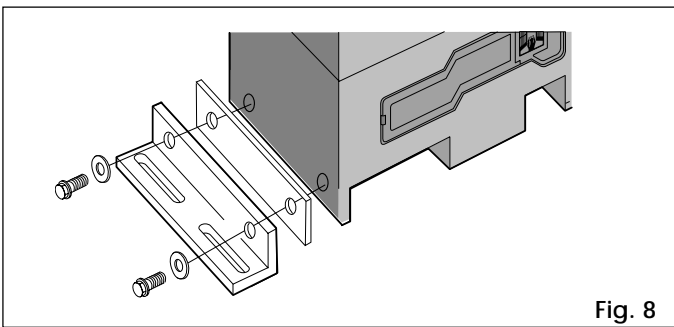


Fig. 8

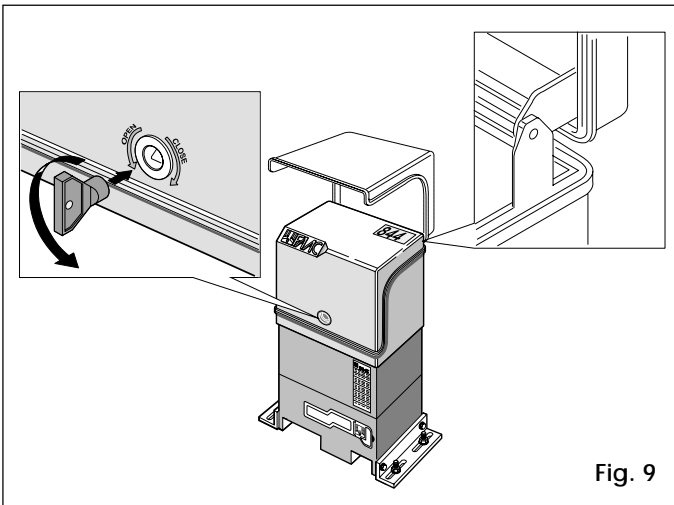


Fig. 9

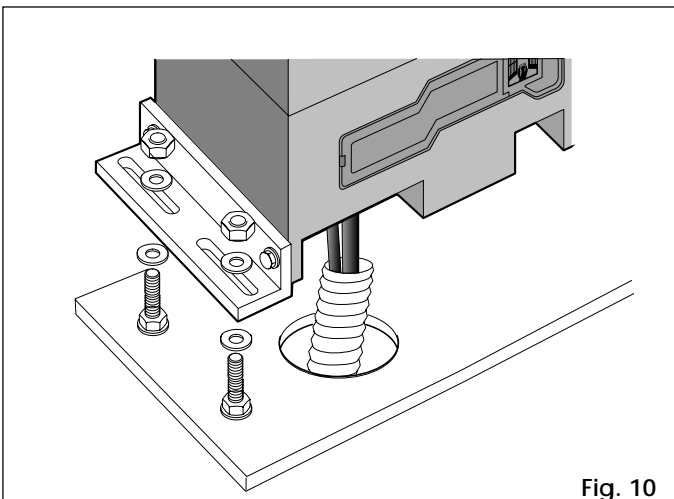


Fig. 10

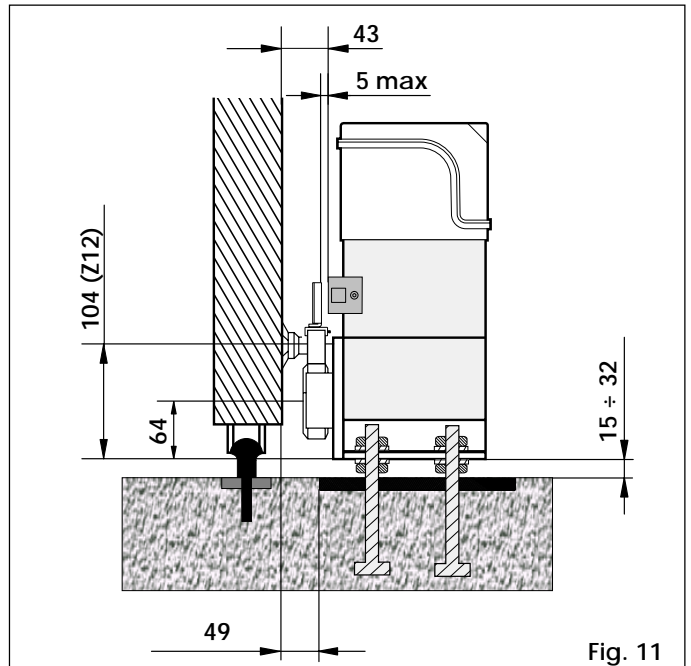


Fig. 11

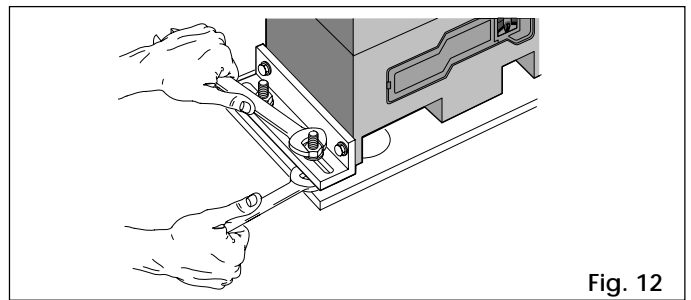


Fig. 12

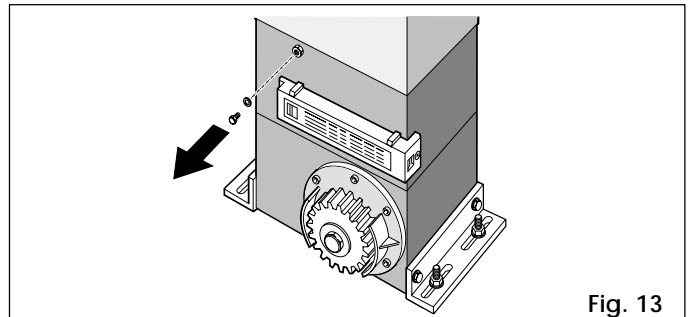


Fig. 13

**4.4. FITTING THE RACK**

**4.4.1. WELD-ON STEEL RACK (Fig.14)**

- 1) Mount the three threaded bushes on the rack element, positioning them in the upper part of the slot. In this way the play provided by the slot will allow for future adjustment.
- 2) Slide the gate leaf manually to the closed position.
- 3) Rest the first rack element level on the pinion and weld the first threaded bush onto the gate as shown in Fig. 16.
- 4) Slide the gate manually making sure that the rack rests on the pinion. Weld the second and third bushes.
- 5) Position another rack element next to the first and use a section of rack to set the teeth of the two elements in phase as shown in Fig. 17.
- 6) Open the gate manually and weld the three threaded bushes. Proceed in this manner until the rack covers the entire length of the gate.

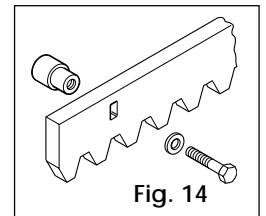


Fig. 14

**4.4.2. SCREW-ON STEEL RACK (Fig. 15)**

- 1) Slide the leaf manually to the closed position.
- 2) Rest the first rack element level on the pinion and insert the spacer in the upper part of the slot between the rack and the gate.
- 3) Mark the point to be drilled on the gate. Drill a 6.5 mm diameter hole and thread using 8 mm screw taps. Tighten the bolt.
- 4) Slide the gate manually making sure that the rack rests on the pinion and repeat the operations of point 3.
- 5) Place another rack element next to the first and use a section of rack to set the teeth of the two elements in phase as shown in Fig. 17.
- 6) Slide the gate manually and secure the rack element in the same manner as the first element. Proceed in this manner until the rack covers the entire length of the gate.

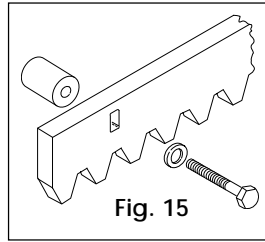


Fig. 15

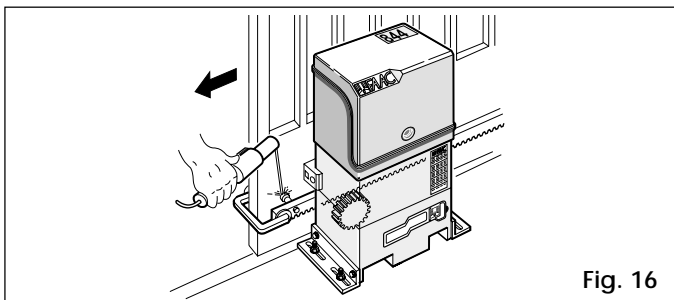


Fig. 16

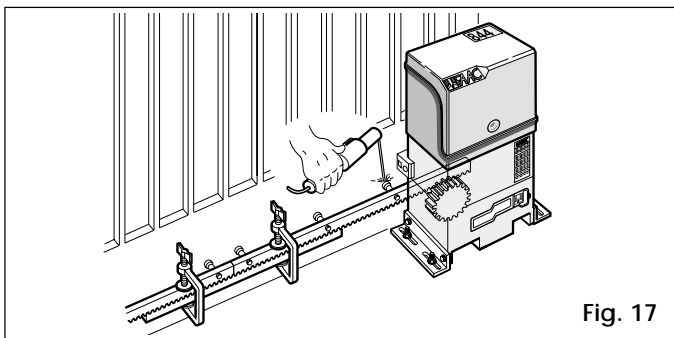


Fig. 17

**Notes on the installation of the rack**

- Check that none of the rack elements come off the pinion during the movement of the gate.
- Do not weld the rack elements either to the spacers or to each other.
- After installing the rack, lower the position of the gear motor by adjusting the feet (Fig. 18) by about 1.5 mm to ensure correct meshing with the pinion.
- Check manually that the gate reaches the mechanical travel limits correctly and that it does not encounter friction during its travel.
- Do not use grease or other lubricants between the pinion and the rack.

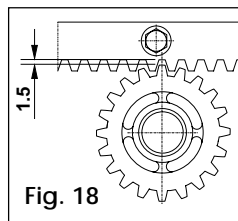


Fig. 18

**5. START-UP**

**5.1. CONNECTION TO ELECTRONIC CONTROL UNIT 844 MPSR**

➔ Always disconnect the electrical power supply before carrying out any operations on the control unit (connections, programming, maintenance).

**Warning:** On disconnecting connector J6, high voltages may be present on the capacitor output.

Observe points 10, 11, 12, 13 and 14 in the GENERAL SAFETY INSTRUCTIONS.

As shown in Fig. 3, lay the conduits and make the electrical

connections from the 844 MPSR electronic control unit to the chosen accessories.

Always route the power supply cables separately from the control and safety cables (keyswitch, receiver, photocells, etc.). Use separate conduits to avoid any interference.

If the 844 MPSR electronic control unit is installed inside the gear motor, remove the 844 INTERFACE card, which serves only if the control unit is installed in a separate box.

**5.1.1. 844MPSR ELECTRONIC CONTROL UNIT**

**TABLE 2 TECHNICAL CHARACTERISTICS OF 844MPSR**

Power supply	230V~ (+6 -10 %) 50Hz
Motor max. load	650 W
Accessories power supply	24Vdc/24V~
Accessories max. load	500 mA
Warning light power supply	24V~ (5W max)
Temperature range	- 20°C + 55°C
Fuses	transformer primary - motor - accessories
Quick connectors	- for decoding cards or RP receivers- - capacitor - limit switch -
Inputs	OPEN/STOP/CLOSING SAFETY/LIMIT-SWITCH
Outputs	warning light - flashing light motor - 24Vdc/24V~ power supply for accessories
Logic programming	pause time (5-10-15-30-60-120-180 sec.) (automatic A1/S1/S2 - semiautomatic E1) pre-flashing
Motor braking	Adjustable by trimmer
Safety timing	255 sec.

**5.1.2. 844MPSR LAY-OUT**

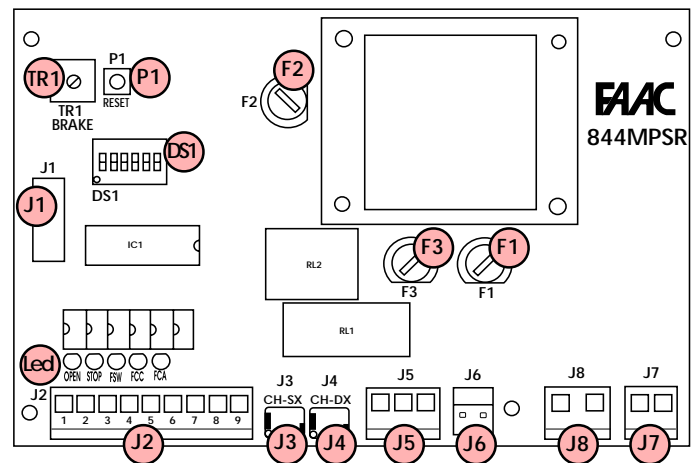


Fig. 19

**TABLE 3 844MPSR Control unit components**

F1	Fast-acting fuse F1 5x20 F5A/250V (motor)
F2	Time delay fuse F2 5x20 T1.6A/250V (accessories)
F3	Time delay fuse F3 5x20 T250mA/250V (transformer)
P1	RESET button
TR1	Braking adjustment trimmer
DS1	Programming dipswitches
Led	Input status indicator LEDs
J1	Quick connector for decoding cards/RP receiver
J2	Low voltage inputs/accessories terminal block
J3	Quick connector for limit switch (LH closure)
J4	Quick connector for limit switch (RH closure)
J5	Motor output terminal block
J6	Quick connector for capacitor
J7	Flasher unit output terminal block (230V~ max 60W)
J8	Line input terminal block

5. 1. 3. ELECTRICAL CONNECTIONS

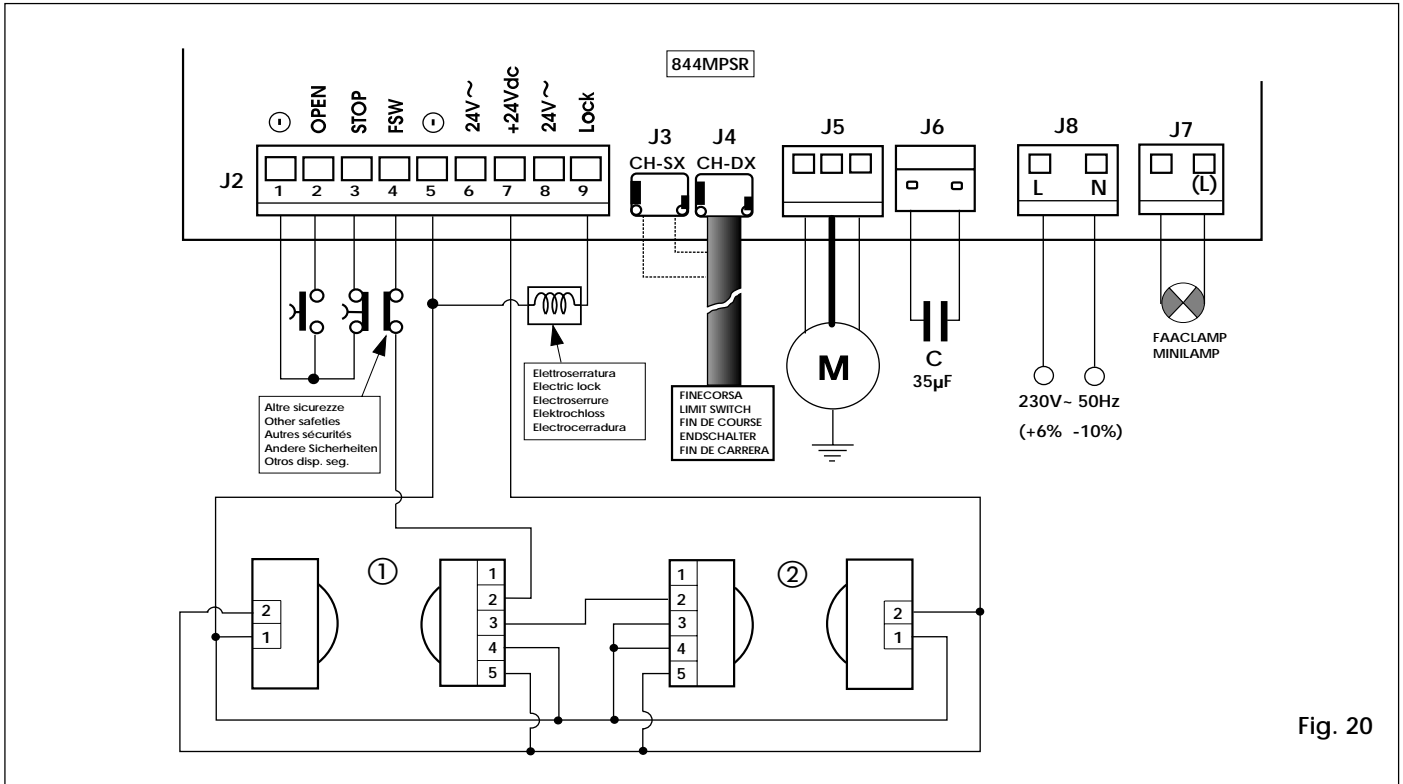
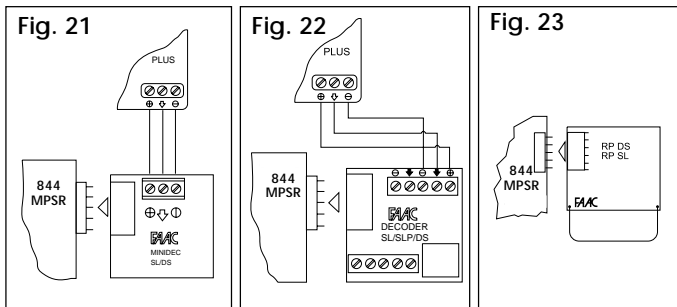


Fig. 20

5.2. DESCRIPTION

5.2.1. CONNECTOR J1

The connector J1 is used for the quick connection of MINIDEC, DECODER, RP RECEIVER boards (Figs. 21,22,23). Accessory boards are to be inserted with their component sides facing the inside of the 844MPSR electronic control unit. Always disconnect the power supply before inserting or removing accessory boards.



5.2.2. TERMINAL BLOCK J2 (low voltage)

1&5 = Common/Negative of accessory power supply (-)

2 = OPEN control device (N.O.)  
Any control device (pushbutton, detector,...) which, on closing the contact, relays an open and/or close impulse to the gate.  
To install more than one Open control device, connect the N.O. contacts in parallel.

3 = STOP control device (N.C.)  
Any control device (e.g. pushbutton) which, on opening a contact, stops the movement of the gate.  
To install more than one Stop control device, connect the N.C. contacts in series.  
If no Stop control devices are to be connected, place a jumper across the input and the common terminal (terminal 1 or 5).

4 = FSW closure safety device (N.C.)  
Any control device (photocells, safety edges, magnetic loops) with an N.C. contact which interrupts

the movement of the gate when an obstacle is detected within the protected area.

The task of the closure safety device is to safeguard the area occupied by the gate during the closing movement.

The intervention of safety devices during gate closure causes the direction of gate movement to be reversed. These devices do not intervene during gate opening movements. If a closure safety device is tripped when the gate is open or during a pause time, they will prevent gate closure.

To install more than one safety device, connect the N.C. contacts in series.

If no closure safety devices are to be installed, place a jumper across this input and the common terminal (terminal 1 or 5).

6&8 = 24V~ accessories power supply

The maximum load of the accessories is 500 mA. To calculate power draw, refer to the instructions for the individual accessories.

If the jumper LK1 is broken, the 24V~ accessories power supply is no longer available (Fig.28).

7 = 24Vdc accessories power supply positive (+)

The maximum load of the accessories is 500 mA. To calculate power draw, refer to the instructions for the individual accessories.

9 = Electric lock output (12 Vac)  
For operation of the electric lock, refer to the dipswitch settings. If two electric locks are installed, they must be connected in series.

5.2.3. CONNECTORS J3-J4 (limit switch)

J3 = Connection of limit switch for left-hand closure

J4 = Connection of limit switch for right-hand closure

Refer to Figs. 24-25 for quick connection of the inductive limit switch sensor for the corresponding gate closure direction.



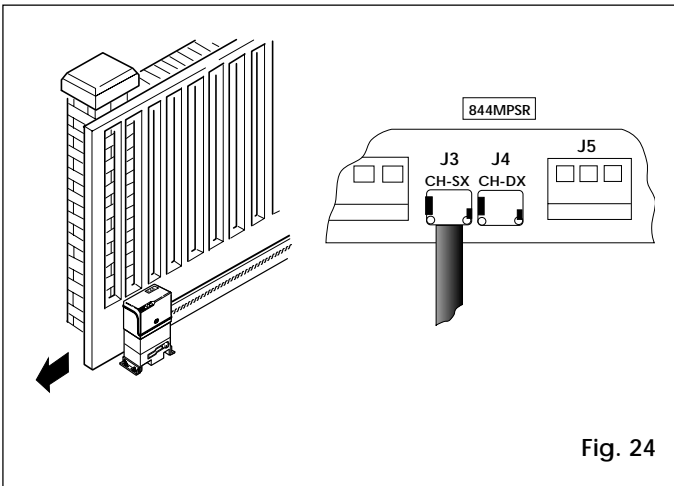


Fig. 24

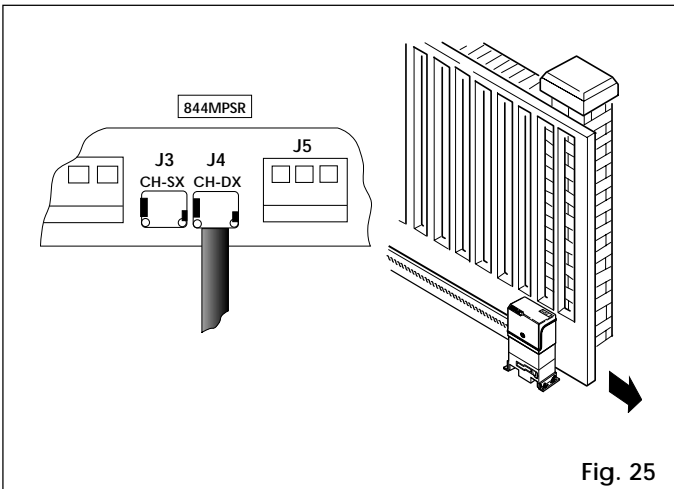


Fig. 25

**5.2.4. TERMINAL BLOCK J5 (high voltage)**

Terminal block for motor connection. Connect the wires to the terminals of J5 as shown in Fig.26.

**BLACK AND BROWN WIRES** = electric motor supply phases  
**BLUE WIRE**= electric motor common

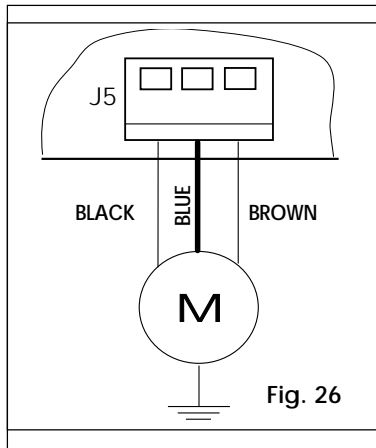


Fig. 26

**5.2.5. CONNECTOR J6 (high voltage)**

Connector for quick connection of the capacitor.

**5.2.6. TERMINAL BLOCK J7 (high voltage)**

230V - terminal block for connection of the flashing light (max 60W).

**5.2.7. TERMINAL BLOCK J8 (high voltage)**

Terminal block for connection of the 230V - 50Hz power supply (L=Line N=Neutral)  
 Connect the earth wire to the operator as shown in Fig.27.

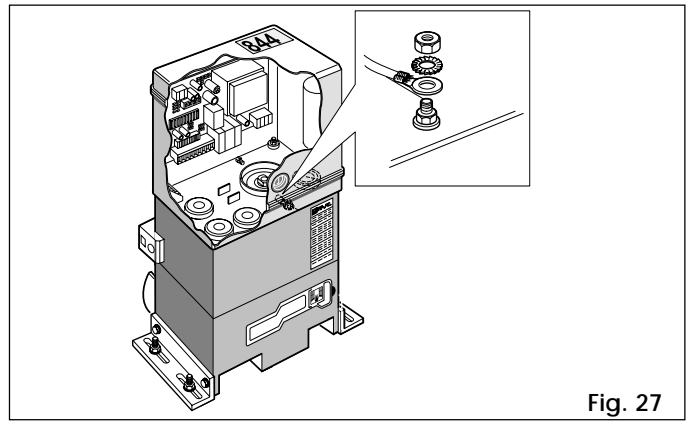


Fig. 27

**5.2.8. INDICATOR LEDS**

5 LEDs on the board indicate the status of the terminal inputs (see Table 4 and fig.28):

**LED ON** = contact closed

**LED OFF** = contact open

**TABLE 4 MEANING OF STATUS INDICATOR LEDs**

LED	ON	OFF
OPEN	Command active	Command not active
STOP	Command not active	Command active
FSW	Safeties disengaged	Safeties engaged
FCC	Closing limit disengaged	Closing limit engaged
FCA	Opening limit disengaged	Opening limit engaged

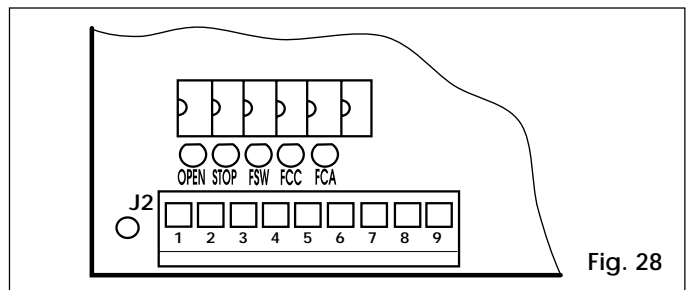


Fig. 28

**5.3. INSTALLING ELECTRIC LOCK**

Since the gear motor allows the gate to be moved manually when the motor is not running, an electric lock must be installed to ensure that the gate remains locked when closed. It must be positioned vertically on the upper guide upright (if the height of the gate permits) to allow it to be released from both inside and outside (fig.29).

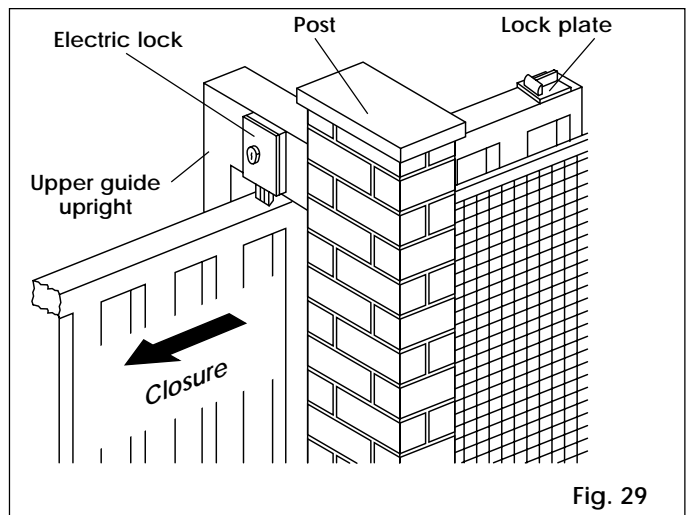
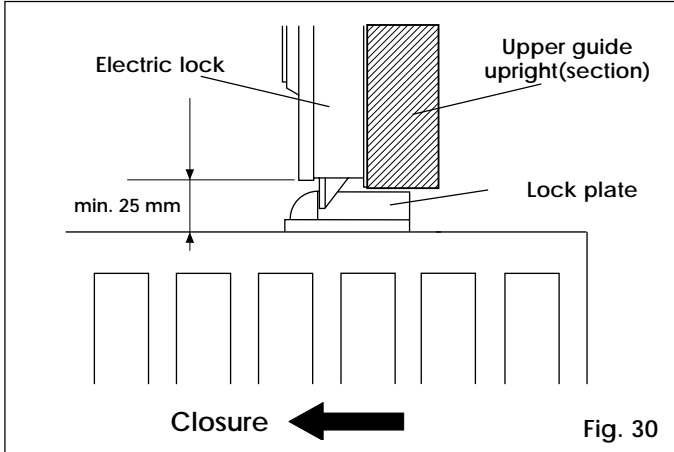


Fig. 29

Install as follows:

- Make sure that the upper guide upright is large enough to allow the electric lock to be mounted vertically; if it is not, install a rugged support bracket.
- Make sure that the clearance between the lower edge of the upper guide upright and the upper edge of the gate is sufficient to allow the lock plate to be installed and allows the bolt to work correctly (see fig. 30).

**N.B.: The values marked refer solely to the FAAC V 75 code 712654 lock and the FAAC code 720329 lock plate**

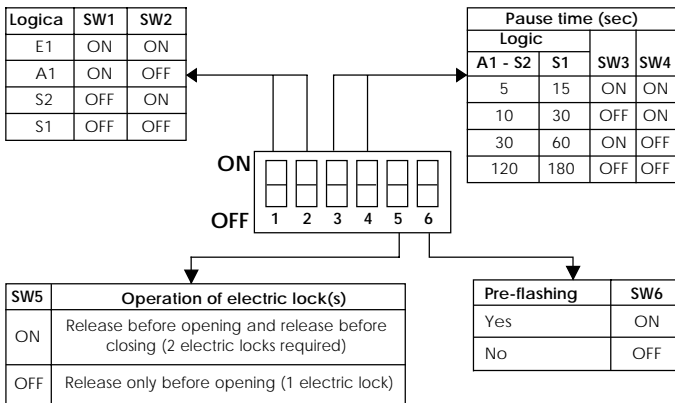


- Mount the electric lock vertically on the upper guide upright (or on the support bracket).
- Close the gate (to about 2 cm from the mechanical travel stop) and provisionally mount the lock plate. Fix permanently only after testing the control unit, checking that the closure limit switch works and adjusting the intensity of the braking effect.

**5.4. DIPSWITCH SETTINGS**

To program the operation of the automation, set the dipswitches as shown in the diagram above.

Press the RESET button after all programming operations.



**Operating logics**

There are four operating logics available:

- A1 = Automatic
- S1 = Safety
- S2 = Safety Plus
- E = Semi-automatic

Operation of the different logics is described in tables 5-6-7-8.

**Pause time**

The pause time is amount of time the gate remains open before it re-closes when an automatic control logic is selected. Pause times include the pre-flashing time, if selected.

**Operation of electric lock(s)**

Allows you to choose whether the electric lock is to be activated

only before opening or also before closing. In both cases the lock is released only when the respective limit switch is engaged (e.g. it is released before opening only if the closure limit switch is activated).

**Pre-flashing**

It is possible to select 5 seconds pre-flashing of the flashing light before any gate movement. This serves to warn any persons in the vicinity that the gate is about to start moving.

**TABLE 5 LOGICA A1 (AUTOMATIC)**

LOGICA A1	IMPULSES		
	OPEN	STOP	SAFETY
CLOSED	opens and recloses after pause time (1)	no effect	no effect
OPEN	recloses after 5 s (2)	stops counting	freezes pause until disengagement
CLOSING	inverts motion	stops	inverts motion
OPENING	no effect	stops	no effect
STOPPED	recloses (1)	no effect	no effect

**TABLE 6 LOGIC S1 (SAFETY)**

LOGIC S1	IMPULSES		
	OPEN	STOP	SAFETY
CLOSED	opens and recloses after pause time (1)	no effect	no effect
OPEN	recloses immediately (1 and 2)	stops counting	recloses after 5 s from disengagement
CLOSING	inverts motion	stops	inverts motion
OPENING	inverts motion	stops	no effect
STOPPED	recloses (1)	no effect	no effect

**TABLE 7 LOGIC S2 (SAFETY PLUS)**

LOGIC S2	IMPULSES		
	OPEN	STOP	SAFETY
CLOSED	opens and recloses after pause time (1)	no effect	no effect
OPEN	recloses immediately (1 and 2)	stops counting	freezes pause until disengagement
CLOSING	inverts motion	stops	stops and inverts motion when disengaged (1)
OPENING	inverts motion	stops	no effect
STOPPED	recloses (1)	no effect	no effect

**TABLE 8 LOGIC E1 (SEMI-AUTOMATIC)**

LOGIC E1	IMPULSES		
	OPEN	STOP	SAFETY
CLOSED	opens (1)	no effect	no effect
OPEN	recloses (1)	no effect	no effect
CLOSING	inverts motion	stops	inverts motion
OPENING	stops	stops	no effect
STOPPED	recloses (reopens when safety devices are engaged) (1)	no effect	no effect

(1) With the pre-flashing selected, movement starts after 5 seconds.

(2) If the impulse is sent during pre-flashing, the timer is reset to zero.

**5.5. FAULT CONDITIONS**

The following conditions effect normal operation of the automation:

- ① microprocessor error
  - ② intervention of the electronic safety timer (interruption of operation after continuous working time exceeds 255 seconds).
  - ③ disconnection of the limit switch cable connector
- Conditions ① and ② have the sole effect of causing the automation to stop.
  - Condition ③ (indicated by the fact that both LEDs FCA and FCC are off) prevents the card from operating: normal operation is only resumed after the cause of the

alarm has been eliminated and the RESET button has been pressed (or the power supply has been momentarily interrupted).

### 5.6. POSITIONING THE TRAVEL STOP PLATE

The 844 MC-R operator is fitted with an inductive proximity limit switch (Fig.1 - ref.3). When the latter detects the passage of a plate fastened to the top of the rack, it stops the movement of the gate.

To position the two travel stop plates correctly, proceed as follows:

- 1) Connect the limit switch connector to the 844MPSR control unit in accordance with the direction of gate closure (paragraph 5.2.3. and Figs. 24/25).
- 2) Assemble the limit switch, positioning the stop plate centrally relative to the threaded studs of the bracket (Fig.31).
- 3) Switch on the power supply.
- 4) Move the gate by hand towards its closed position, stopping approximately 2 cm from the physical stop of the gate.
- 5) Set brake-adjusting trimmer TR1 approximately to its central position (Fig. 19 - ref. TR1).
- 6) Slide the travel stop plate on the rack in the opening direction. When the LED of the opening travel limit switch (FCA) in the 844 MPSR electronic control unit (Fig. 28) goes out, advance the travel stop plate by approximately 45 mm, and fix it to the rack by tightening the screws.

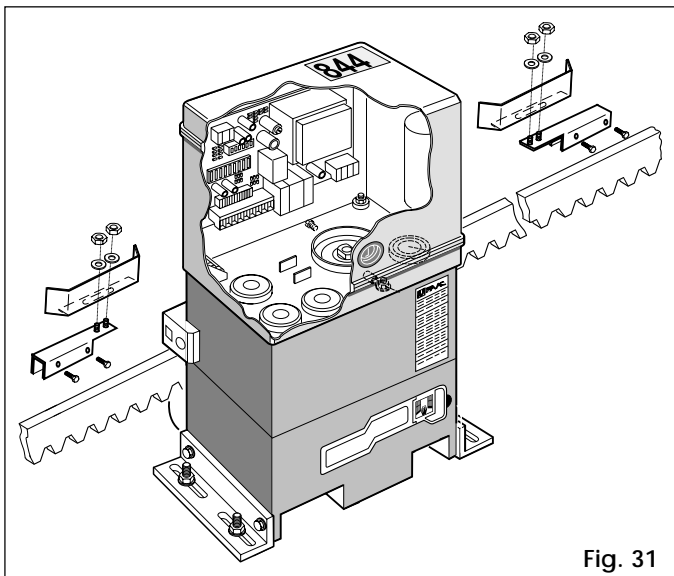


Fig. 31

- 7) Move the gate by hand towards its closed position, stopping approximately 2 cm from the physical stop of the gate.
- 8) Slide the travel stop plate on the rack in the closing direction. When the LED of the closing travel end limit switch (FCC) in the 844 MPSR electronic control unit goes out (Fig.28), advance the travel stop plate by approximately 45 mm, and fix it to the rack by tightening the screws.
- 9) Re-lock the system (see paragraph 5).
- 10) Run a complete cycle of the gate, to check whether the limit switch trips correctly. To adjust the limit switch positions, operate brake trimmer TR1: when the trimmer is rotated clockwise, the braking space is decreased; when the trimmer is rotated counterclockwise, the braking space is increased.

#### Notes on positioning the travel stop plates

- The distance between the limit switch and the travel stop plate must be  $\leq 5$ mm (Fig.11).
- To avoid damaging the operator and/or interruptions to service, leave a distance of at least 2 cm from the physical stops of the gate.

### 5.7. TORQUE ADJUSTMENT

The 844 MC-R automation system is equipped with an anti-crushing mechanical clutch which stops the opening/closing movement when the gate encounters an obstacle. When the obstacle is removed, the gate resumes its movement until the relevant limit switch trips or the safety time (TIME OUT) is exceeded.

This torque limiter must be set in compliance with current standards.

To adjust the threshold of the anti-crushing system, proceed as follows:

- 1) **Switch off the power supply.**
- 2) Remove the cover of the relevant bore (Fig. 1- ref. 9), and unscrew the cap of the clutch adjusting screw (Fig. 32).
- 3) Keep the driving shaft in position by means of the supplied lever, and adjust the clutch as shown in Fig. 33. To increase torque, turn the screw clockwise. To decrease torque, turn the screw counterclockwise.  
**the operator is supplied with the clutch set to maximum torque. Initially, the working torque of the system must be decreased.**
- 4) Switch on the power supply and check whether the anti-crushing system trips correctly.

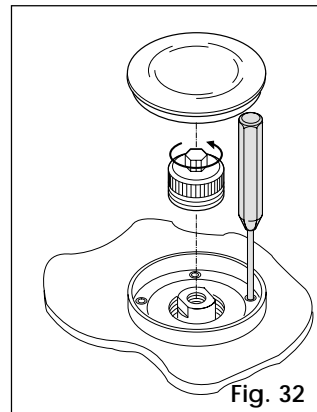


Fig. 32

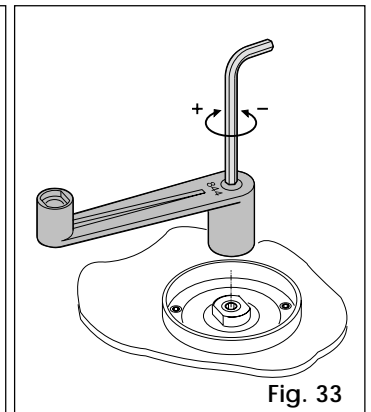


Fig. 33

## 6. TESTING THE AUTOMATION

When installation is complete, affix the danger warning label to the top of the casing (Fig. 34).

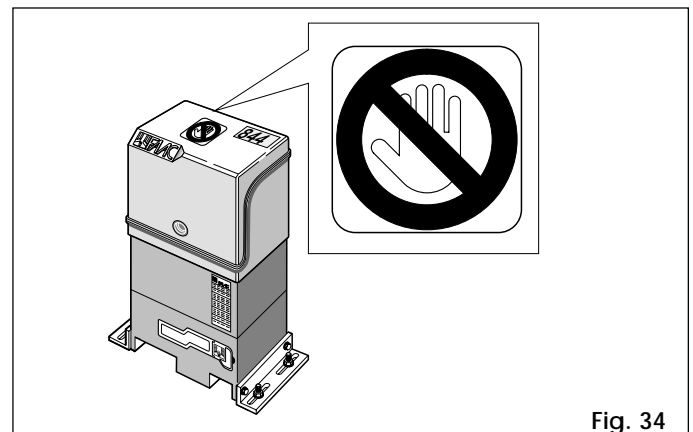


Fig. 34

Press fit the covers over the operator fixing bars (Fig. 35).

Thoroughly check operation of the automation and all connected accessories.

Check the closure stop position of the gate and check that the lock plate is in the correct position. If necessary, change its position and recheck operation by performing a few gate movement cycles. When you are sure that the position is correct, fix the lock plate with screws or by welding.

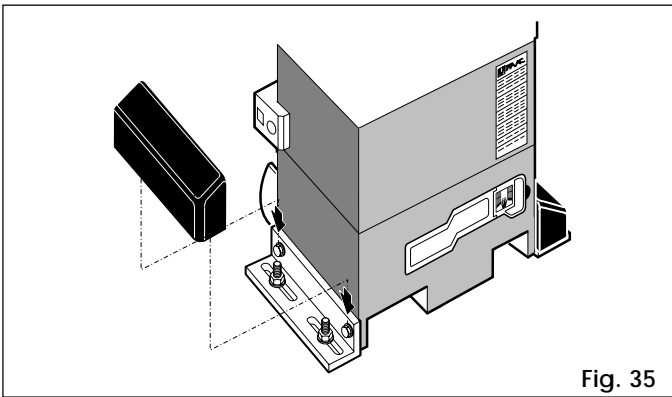


Fig. 35

Give the customer the User Guide. Explain correct use and operation of the gear motor and draw attention to the potential danger zones of the automation.

## 7. MANUAL OPERATION

If it is necessary to operate the gate manually due to a power failure or malfunction of the automation, release the electric lock using the special key and move the gate leaf manually.

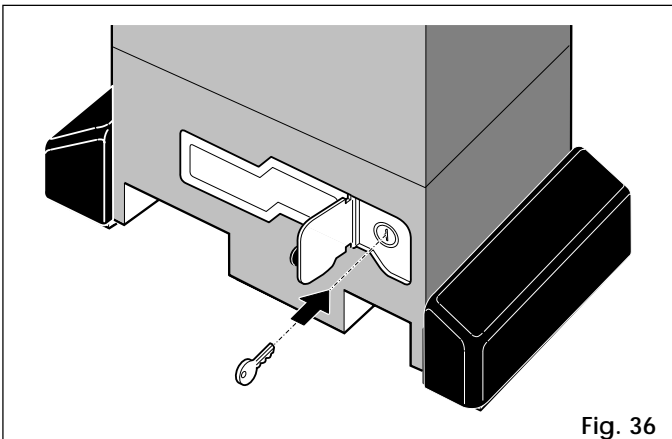


Fig. 36

If this is not sufficient (serious mechanical malfunction), carry out the following operations on the release system:

- 1) Open the lock cover and insert the key supplied in the lock (Fig.36).

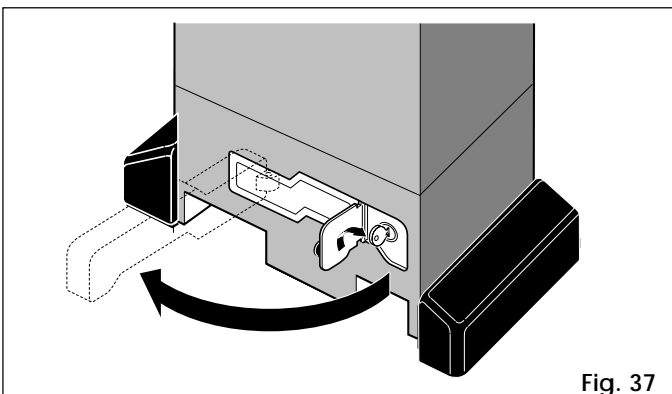


Fig. 37

- 2) Turn the key clockwise and pull out the release lever as shown in Fig.37.
- 3) Open or close the gate manually.

## 8. RETURN TO NORMAL OPERATION

To prevent accidental operation of the gate during this procedure, turn off the electricity supply to the system before relocking the operator.

- 1) Close the release lever.

- 2) Turn the key anti-clockwise.
- 3) Remove the key and close the lock cover.
- 4) Move the gate until the release device engages.

## 9. SPECIAL APPLICATIONS

There are no special applications.

## 10. MAINTENANCE

When performing maintenance, always check that the anti-crushing clutch is correctly adjusted and that the safety devices operate correctly.

### 10.1. TOPPING UP WITH OIL

Check the quantity of oil in the operator periodically. For medium-low duty cycles an annual check is sufficient; for more intensive use, check every 6 months.

To access the oil reservoir, remove the oil filler cap (Fig.1 ref.10). The oil level should be up to the copper windings of the electric motor (Fig. 38).

To top up, pour in oil to the correct level.

Use exclusively FAAC XD 220 oil.

## 11. REPAIRS

For repairs contact an authorised FAAC Repair Centre.

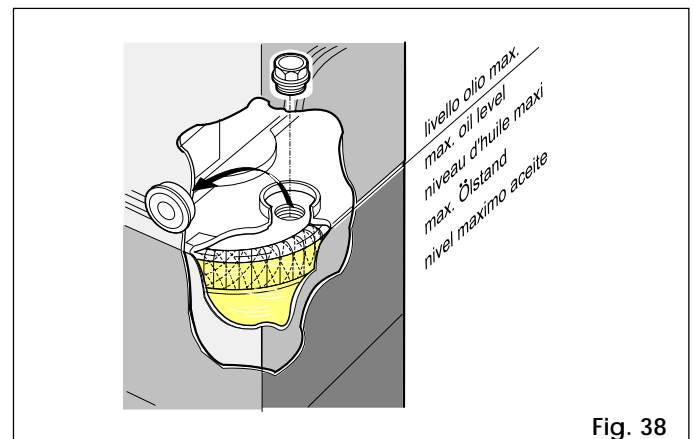


Fig. 38

## USER'S GUIDE

### 844 MC-R AUTOMATION

Read the instructions carefully before using the product and keep them for future reference.

#### GENERAL SAFETY RULES

The 844 MC-R automation, when installed and used correctly, affords a high level of safety.

However, some simple rules should be followed to avoid accidents:

- Do not stand in the vicinity of the automation or allow anyone else, especially children, to do so, and do not place objects in the vicinity of the automation. This is particularly important during operation.
- Keep remote controls or any other control devices out of the reach of children to prevent them from accidentally operating the automation.
- Do not allow children to play with the automation.
- Do not deliberately obstruct the movement of the gate.
- Make sure that branches or bushes do not interfere with the movement of the gate.
- Ensure that the signalling lights are efficient and clearly visible.
- Do not attempt to move the gate manually without first releasing it.
- In the event of a malfunction, release the gate to allow access and call a qualified technician for service.
- If you have to use the release device to set manual operation, disconnect the electrical power supply.
- Do not make any modifications to components of the automation system.
- Do not attempt to perform any repair work or tamper with the automation. Call FAAC qualified personnel for repairs.
- At least once every six months have the automation, the safety devices and the earth connection checked by a qualified technician.

#### DESCRIPTION

The FAAC 844 MC-R automation is ideal for controlling vehicle access areas with medium-high transit frequencies.

The FAAC model 844 MC-R automation for sliding gates are electromechanical operators which transmit movement to the leaf by means of a pinion with rack or chain coupled in appropriate manner to the sliding gate.

The operation of the sliding gate is controlled by an electronic control unit housed inside the operator.

When the gate is closed, on receipt of an opening impulse from a remote control or other suitable control device, the control unit will start the motor to move the gate to the open position.

If automatic operation has been selected, sending an impulse causes the gate to reclose on its own after the selected pause time.

If semiautomatic operation has been selected, a second impulse must be sent to reclose the gate.

An opening impulse sent while the gate is reclosing causes it to change direction of movement.

A stop command (if available) stops movement at any time.

For detailed information on operation of the sliding gate in the various operating modes, contact the installation technician. The automations have safety devices (photocells) which prevent the gate from reclosing when an obstacle lies within the area they are protecting.

The system allows the gate to be moved manually when the motor is not running, so an electric lock must be installed to keep the gate locked when closed.

In the event of a malfunction or power failure, the gate can be opened only by releasing the electric lock.

The gear motor has a mechanical clutch which affords the necessary anti-crushing safety.

The electronic control unit can be incorporated into the gear motor or installed separately.

A convenient manual release device allows the gate to be operated in the event of a power failure or malfunction.

The light flashes while the gate is moving.

#### MANUAL OPERATION

If the gate has to be opened manually due to a power failure or a malfunction of the automation, the electric lock must be released. If this is not sufficient (serious mechanical malfunction of the gear motor), the following operations must be performed on the release device.

- 1) Open the lock cover plate and insert the key supplied in the lock (Fig.1).
- 2) Turn the key clockwise and pull the release lever as shown in Fig. 2.
- 3) Open or close the gate manually.

#### RETURN TO NORMAL OPERATION

To prevent accidental operation of the gate during this procedure, turn off the electricity supply to the system before relocking the operator.

- 1) Reclose the release lever.
- 2) Turn the key anti-clockwise.
- 3) Remove the key and close lock cover plate.
- 4) Move the gate until the release device engages.

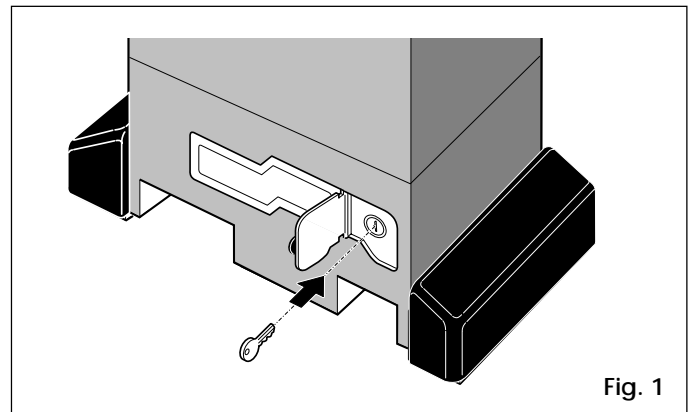


Fig. 1

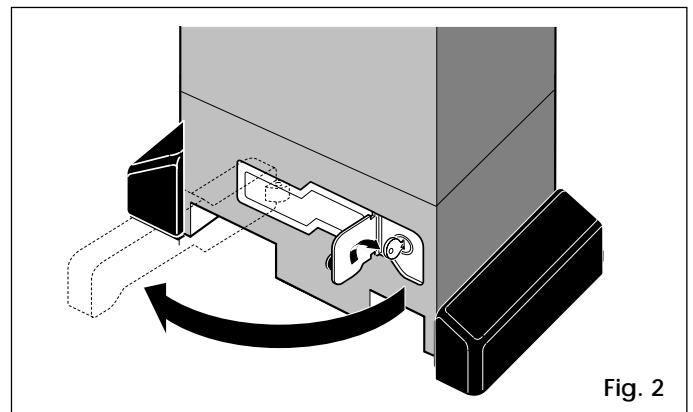


Fig. 2

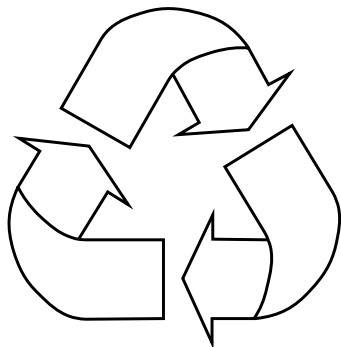
Le descrizioni e le illustrazioni del presente manuale non sono impegnative. La FAAC si riserva il diritto, lasciando inalterate le caratteristiche essenziali dell'apparecchiatura, di apportare in qualunque momento e senza impegnarsi ad aggiornare la presente pubblicazione, le modifiche che essa ritiene convenienti per miglioramenti tecnici o per qualsiasi altra esigenza di carattere costruttivo o commerciale.

The descriptions and illustrations contained in the present manual are not binding. FAAC reserves the right, whilst leaving the main features of the equipments unaltered, to undertake any modifications it holds necessary for either technical or commercial reasons, at any time and without revising the present publication.

Les descriptions et les illustrations du présent manuel sont fournies à titre indicatif. FAAC se réserve le droit d'apporter à tout moment les modifications qu'elle jugera utiles sur ce produit tout en conservant les caractéristiques essentielles, sans devoir pour autant mettre à jour cette publication.

Die Beschreibungen und Abbildungen in vorliegendem Handbuch sind unverbindlich. FAAC behält sich das Recht vor, ohne die wesentlichen Eigenschaften dieses Gerätes zu verändern und ohne Verbindlichkeiten in Bezug auf die Neufassung der vorliegenden Anleitungen, technisch bzw. konstruktiv/kommerziell bedingte Verbesserungen vorzunehmen.

Las descripciones y las ilustraciones de este manual no comportan compromiso alguno. FAAC se reserva el derecho, dejando inmutadas las características esenciales de los aparatos, de aportar, en cualquier momento y sin comprometerse a poner al día la presente publicación, todas las modificaciones que considere oportunas para el perfeccionamiento técnico o para cualquier otro tipo de exigencia de carácter constructivo o comercial.



**FAAC per la natura**

- La presente istruzione è realizzata al 100% in carta riciclata.
- Non disperdete nell'ambiente gli imballaggi dei componenti dell'automazione bensì selezionate i vari materiali (es. cartone, polistirolo) secondo prescrizioni locali per lo smaltimento rifiuti e le norme vigenti.

**FAAC for the environment**

- The present manual is produced in 100% recycled paper
- Respect the environment. Dispose of each type of product packaging material (card, polystyrene) in accordance with the provisions for waste disposal as specified in the country of installation.

**FAAC der Umwelt zuliebe**

- Vorliegende Anleitungen sind auf 100% Altpapier gedruckt.
- Verpackungstoffe der Antriebskomponenten (z.B. Pappe, Styropor) nach den einschlägigen Normen der Abfallwirtschaft sortenrein sammeln.

**FAAC écologique**

- La présente notice a été réalisée 100% avec du papier recyclé.
- Ne pas jeter dans la nature les emballages des composants de l'automatisme, mais sélectionner les différents matériaux (ex.: carton, polystyrène) selon la législation locale pour l'élimination des déchets et les normes en vigueur.

**FAAC por la naturaleza.**

- El presente manual de instrucciones se ha realizado, al 100%, en papel reciclado.
- Los materiales utilizados para el embalaje de las distintas partes del sistema automático (cartón, poliestireno) no deben tirarse al medio ambiente, sino seleccionarse conforme a las prescripciones locales y las normas vigentes para el desecho de residuos sólidos.



**FAAC**

**FAAC S.p.A.**

Via Benini, 1  
40069 Zola Predosa (BO) - ITALIA  
Tel.: 051/61724 - Fax: 051/758518  
www.faacgroup.com

Timbro del Rivenditore:/Distributor's Stamp:/Timbre de l'Agent:/ Fachhändlerstempel:/Sello del Revendedor:

